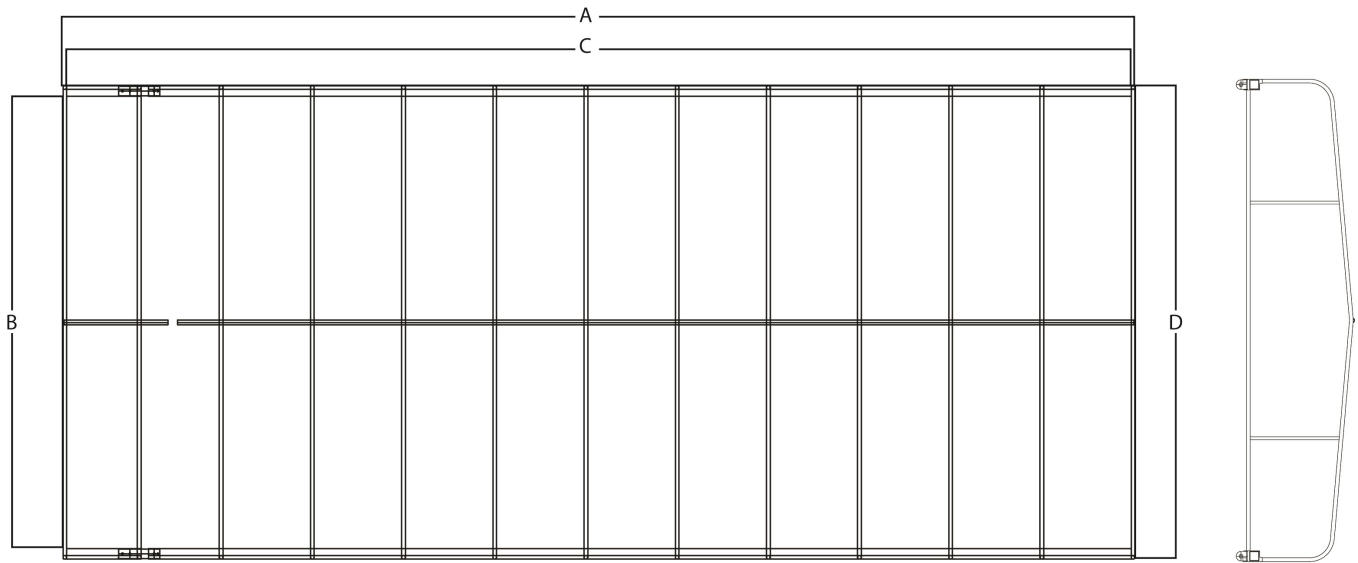


Attn: Whiskey Creek Trading Co.

**Max Docks Frame
Specification Sheet**



***ALL MEASUREMENTS (±1")**

PART NO.	SIZE	OVERALL LENGTH "A"	INSIDE WIDTH "B"	SIDE RAIL LENGTH "C"	OUTSIDE WIDTH "D"
MX1600052	16' X 52"	16'	52"	15' 10"	57 1/2"
MX1400088	14' X 88"	14'	87 1/2"	13' 10"	93"
MX1600088	16' X 88"	16'	87 1/2"	15' 10"	93"
MX1800088	18' X 88"	18'	87 1/2"	17' 10"	93"
MX2000088	20' X 88"	20'	87 1/2"	19' 10"	93"
MX1800108	18' X 108"	18'	108"	17' 10"	113 3/4"
MX2000108	20' X 108"	20'	108"	19' 10"	113 3/4"
MX2200108	22' X 108"	22'	108"	21' 10"	113 3/4"
MX2400108	24' X 108"	24'	108"	23' 10"	113 3/4"
MX2600108	26' X 108"	26'	108"	25' 10"	113 3/4"
MX2800108	28' X 108"	28'	108"	27' 10"	113 3/4"
MX3000108	30' X 108"	30'	108"	29' 10"	113 3/4"
MX1800122	18' X 122"	18'	121 1/2"	17' 10"	127"
MX2000122	20' X 122"	20'	121 1/2"	19' 10"	127"
MX2200122	22' X 122"	22'	121 1/2"	21' 10"	127"
MX2400122	24' X 122"	24'	121 1/2"	23' 10"	127"
MX2600122	26' X 122"	26'	121 1/2"	25' 10"	127"
MX2800122	28' X 122"	28'	121 1/2"	27' 10"	127"
MX3000122	30' X 122"	30'	121 1/2"	29' 10"	127"
MX3200122	32' X 122"	32'	121 1/2"	31' 10"	127"
MX2800144	28' X 144"	28'	144"	27' 10"	149 1/2"
MX3000144	30' X 144"	30'	144"	29' 10"	149 1/2"
MX3200144	32' X 144"	32'	144"	31' 10"	149 1/2"
MX3400144	34' X 144"	34'	144"	33' 10"	149 1/2"

ATTACHMENT

Continuous bungee is strung through d-rings and hooked to aluminum flat bar via s-hooks.

STANDARD VALANCE: 12" VALANCE

OUTSIDE DIMENSIONS

A _____ OVERALL LENGTH OF FRAME
 B _____ INSIDE WIDTH OF FRAME
 C _____ LENGTH OF SIDE RAILS (W/O ENDS)
 D _____ OUTSIDE WIDTH OF FRAME

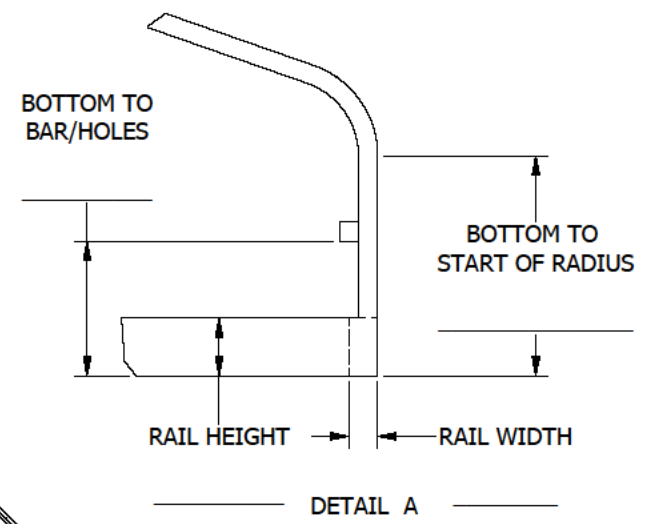
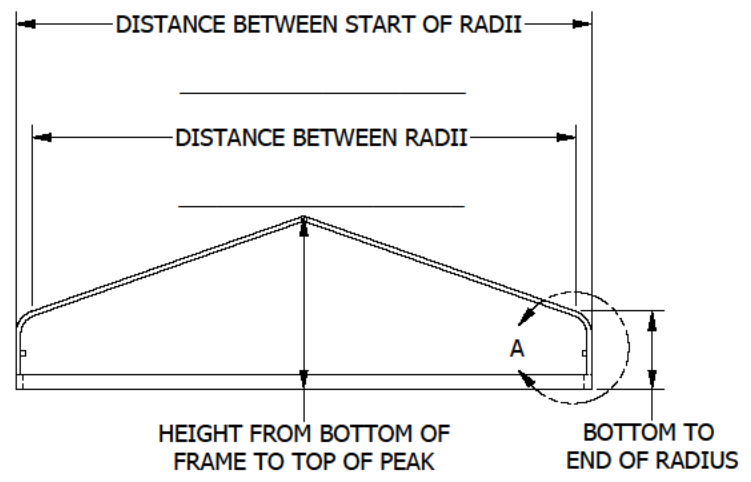
CONTACT INFORMATION

Name _____
 Address _____
 City _____ State _____ Zip _____
 Phone _____ Fax _____
 Boat Lift Brand _____

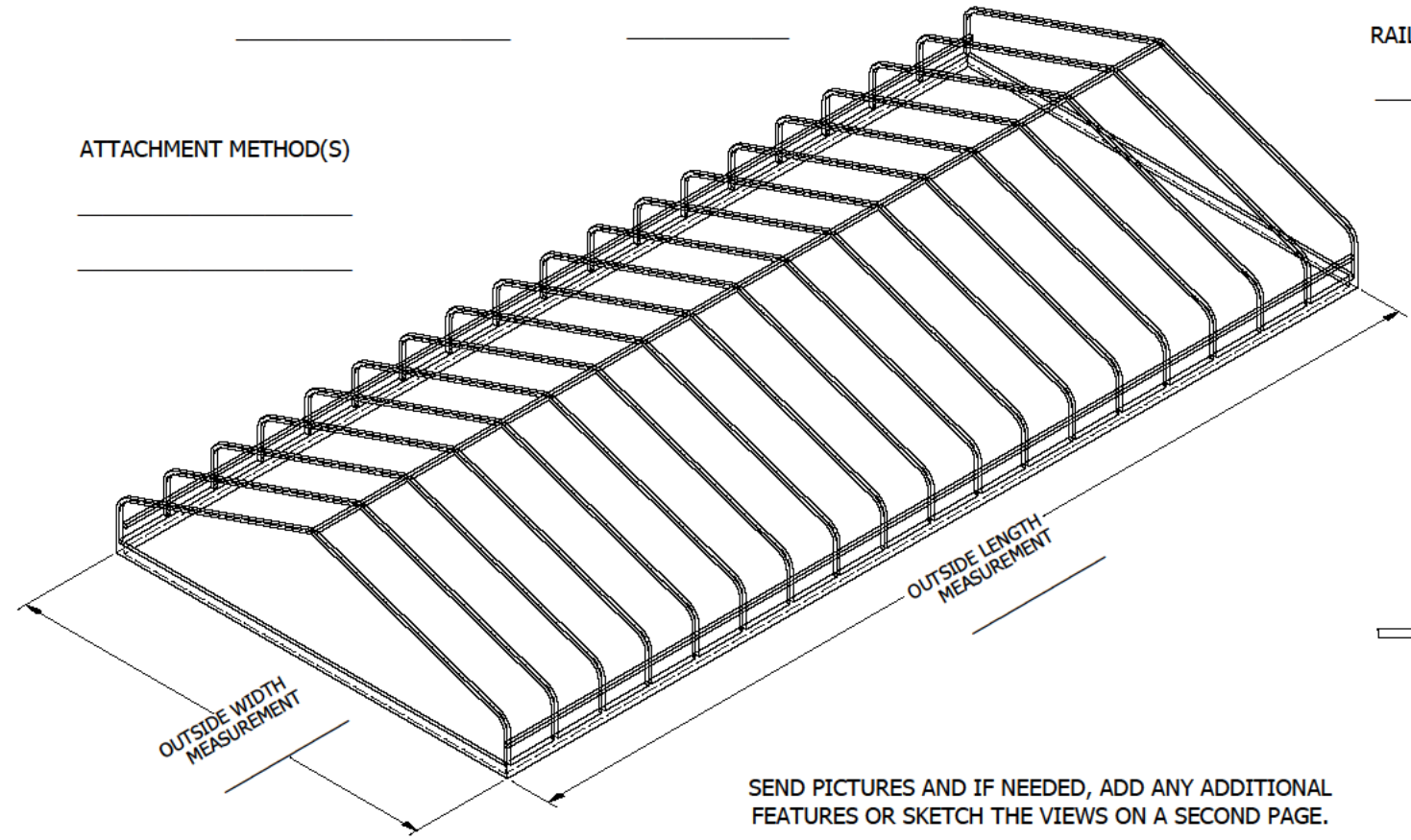
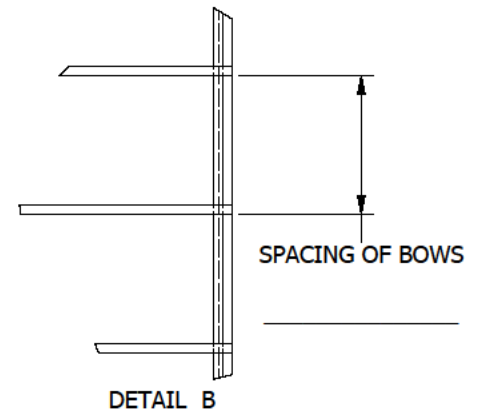
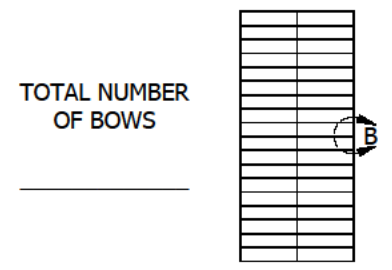
NOTES

****If dimensions don't match above,
fill out detail sheet on page 2****

REVISIONS				
REV	ECN	DATE	DESCRIPTION	ISSUER
A	EC-00469	10/4/2016	RELEASE	RML



ATTACHMENT METHOD(S)



SEND PICTURES AND IF NEEDED, ADD ANY ADDITIONAL FEATURES OR SKETCH THE VIEWS ON A SECOND PAGE.

TOLERANCES - UNLESS NOTED		TITLE:			SIZE
DECIMAL ±		PEAKED FLUSHED END FRAME DETAIL SHEET			C
FRACTION ±		DRFT:	DATE	SCALE	SHEET
ANGLE ±		RML	10/4/2016		1
		ENGR:	DATE		1
		CWG	10/10/2016		
					PART NO:
					F-133